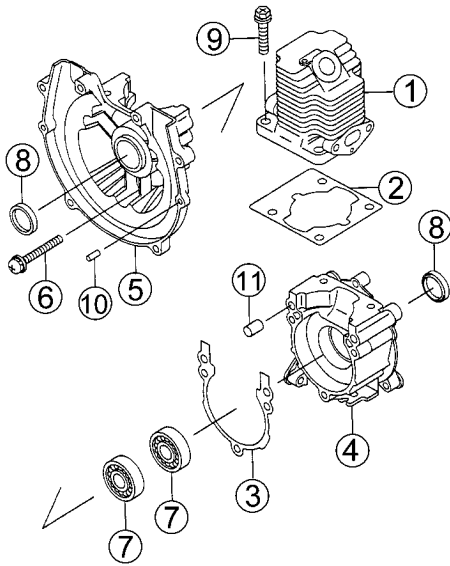
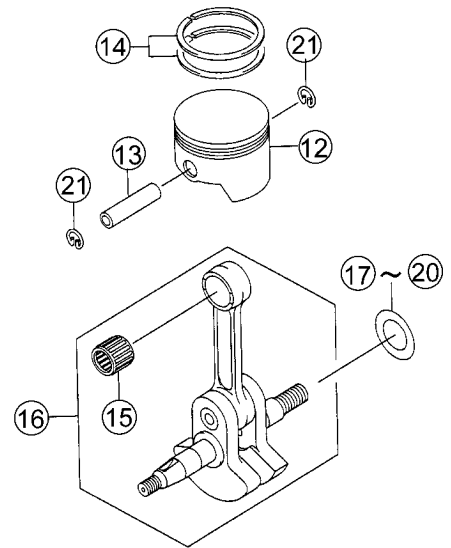


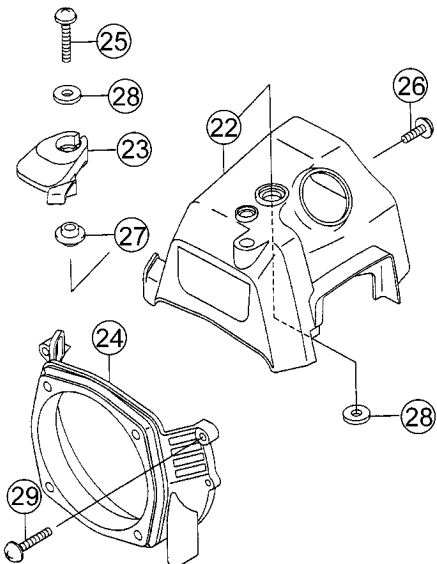
SYLINDER & CRANKCASE SYSTEM



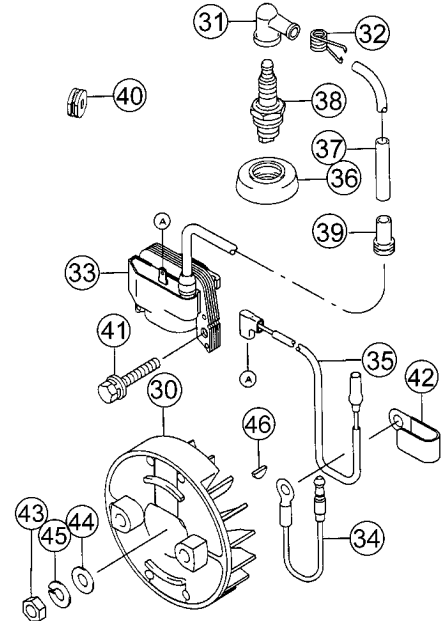
PISTON & CRANKSHAFT SYSTEM



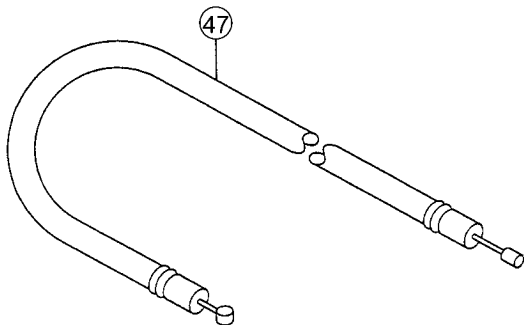
COOLING-EQUIPMENT SYSTEM



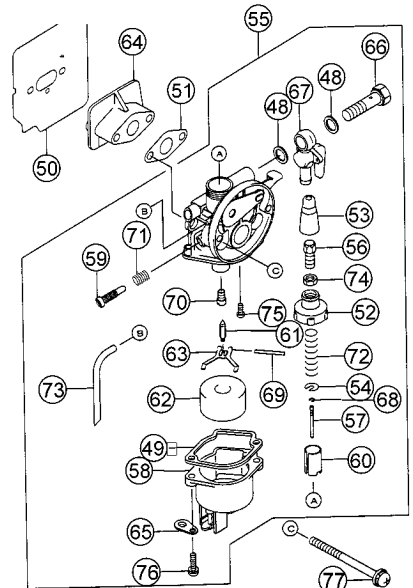
ELECTRIC-EQUIPMENT SYSTEM



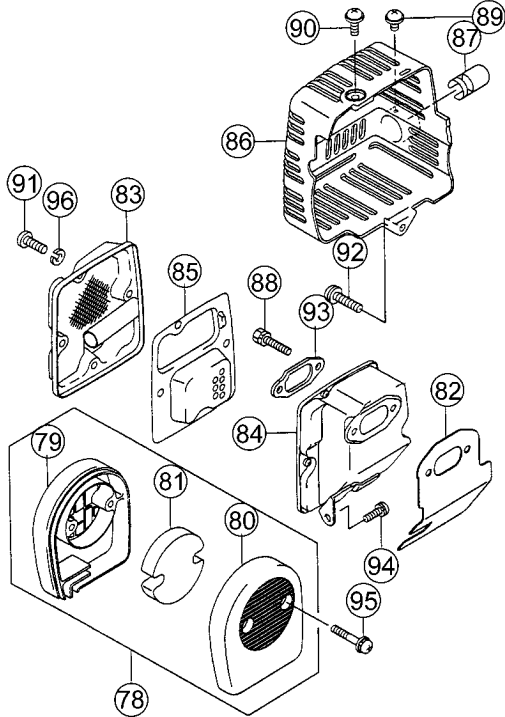
CONTROL-EQUIPMENT SYSTEM



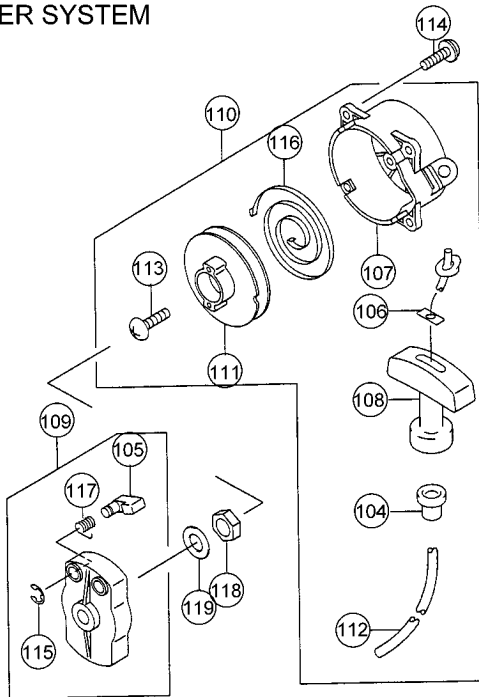
CARBURETOR SYSTEM



AIR-FILTER & MUFFLER SYSTEM



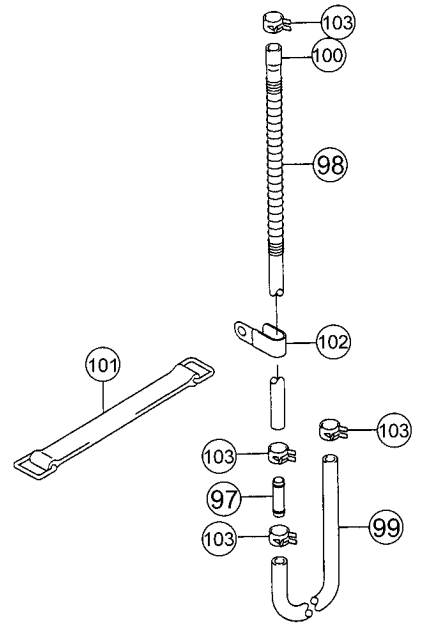
STARTER SYSTEM



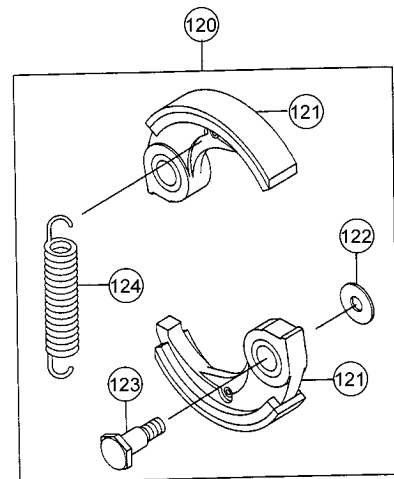
LABEL SYSTEM



FUEL-TANK & FUEL-VALVE SYSTEM

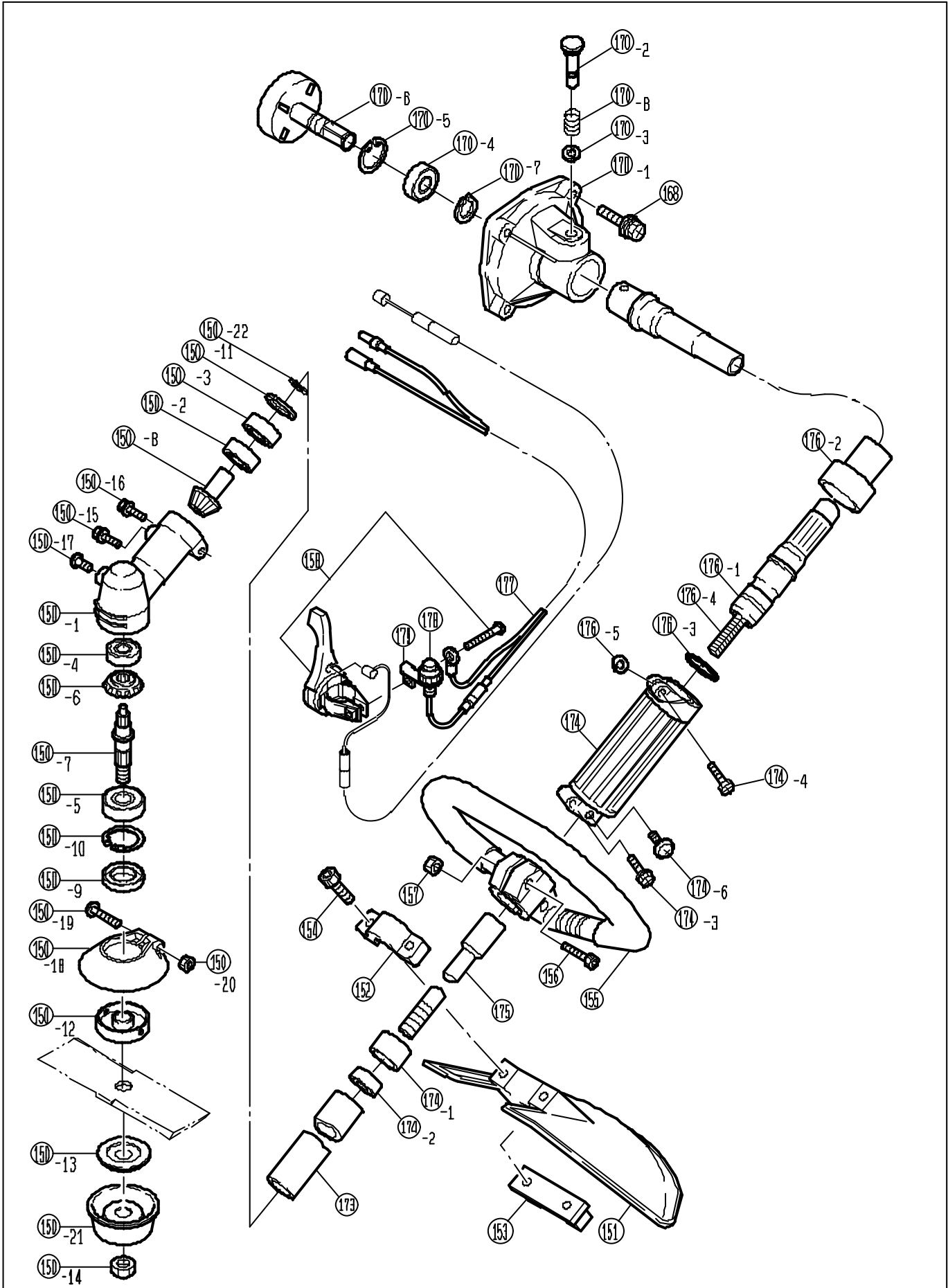


P.T.O.-EQUIPMENT SYSTEM



BRUSH CUTTER

RKB-33



BRUSH CUTTER

RKB-33

